

GaAlAs Laser Diode

Description

The SLD131UL is a low-power consumption and low-noise laser diode developed for portable CDs.

Features

- Low current consumption I_{OP} : 20mA ($P_O = 2.5mW$)
- Supports single power supply.
- Low noise

Applications

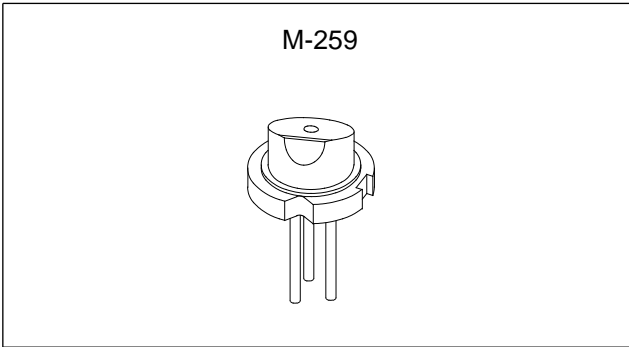
- Portable CDs

Structure

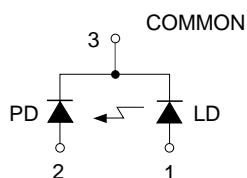
- GaAlAs double hetero laser diode
- PIN photodiode to monitor laser beam output

Absolute Maximum Ratings ($T_C = 25^\circ C$)

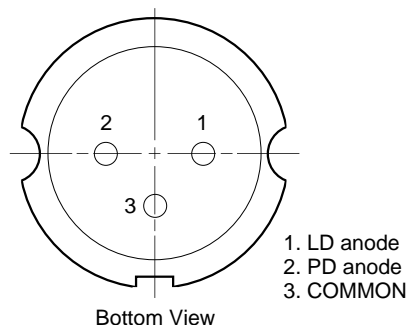
- | | | | |
|-------------------------|-----------|------------|------------|
| • Optical power output | P_O | 4 | mW |
| • Reverse voltage | V_R | LD | 2 V |
| | | PD | 15 V |
| • Operating temperature | T_{opr} | -10 to +60 | $^\circ C$ |
| • Storage temperature | T_{stg} | -40 to +85 | $^\circ C$ |



Connection Diagram



Pin Configuration

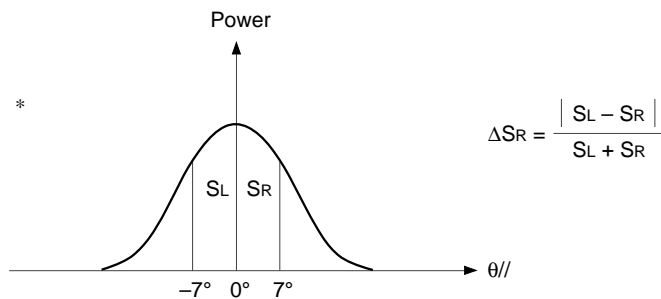


Sony reserves the right to change products and specifications without prior notice. This information does not convey any license by any implication or otherwise under any patents or other right. Application circuits shown, if any, are typical examples illustrating the operation of the devices. Sony cannot assume responsibility for any problems arising out of the use of these circuits.

Electrical and Optical Characteristics (T_c = 25°C)

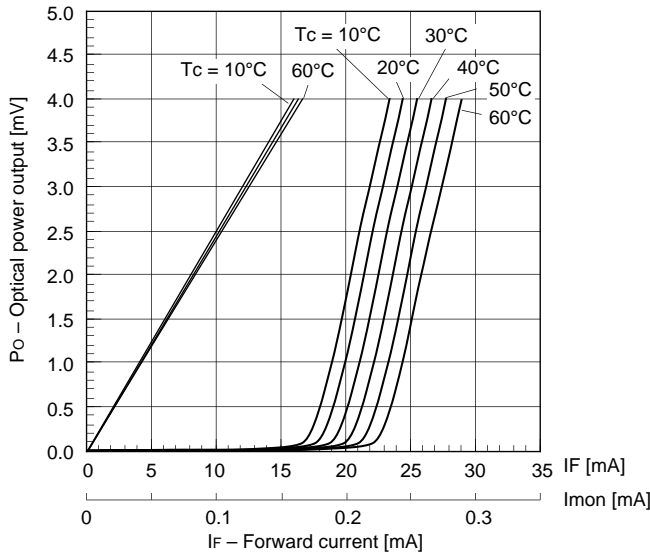
T_c : Case temperature

Item	Symbol	Conditions	Min.	Typ.	Max.	Unit	
Threshold current	I _{th}			16	28	mA	
Operating current	I _{op}	P _o = 2.5mW		20	30	mA	
Operating voltage	V _{op}	P _o = 2.5mW	1.7	1.9	2.5	V	
Wavelength	λ _p	P _o = 2.5mW	760	790	810	nm	
Monitor current	I _m	P _o = 2.5mW V _R = 5V	0.08	0.11	0.6	mA	
Radiation angle	Perpendicular	θ _⊥	P _o = 2.5mW	20	39	45	degree
	Parallel	θ _{//}		8	13	25	degree
	Asymmetry	ΔS _R [*]				25	%
Positional accuracy	Position	ΔX, ΔY, ΔZ	P _o = 2.5mW			±150	μm
	Angle	Δφ _⊥				±4	degree
Differential efficiency	η _D	P _o = 2.5mW	0.2	0.6	0.9	mW/mA	
Astigmatism	A _s	Z // -Z _⊥			15	μm	
Dark current of PD	I _D	V _R = 5V			150	nA	
capacitance of PD	C _T	V _R = 5V, f = 1kHz			30	pF	

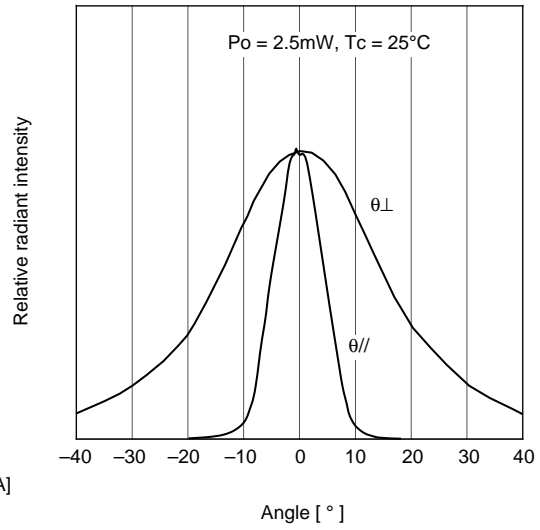


Example of Representative Characteristics

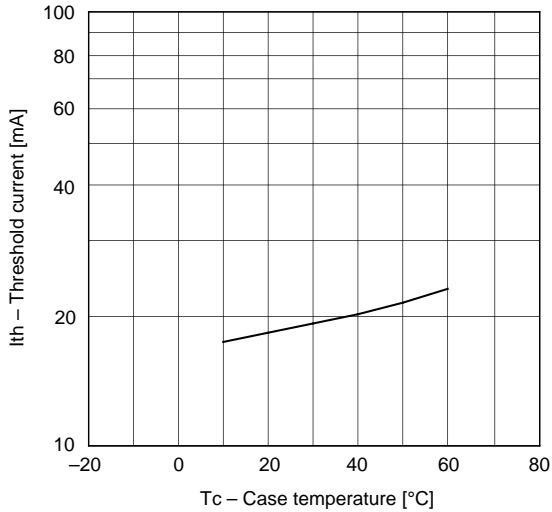
Optical power output vs. Forward current characteristics



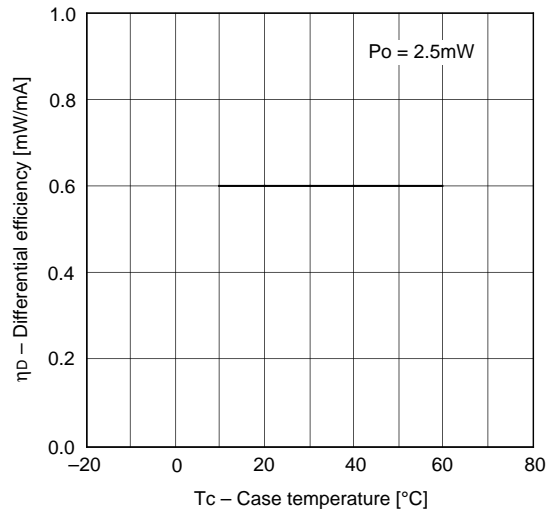
Far field pattern (FFP)



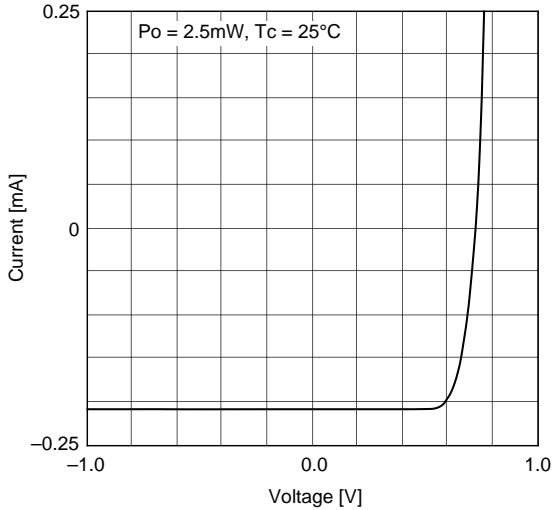
Threshold current vs. Temperature characteristics



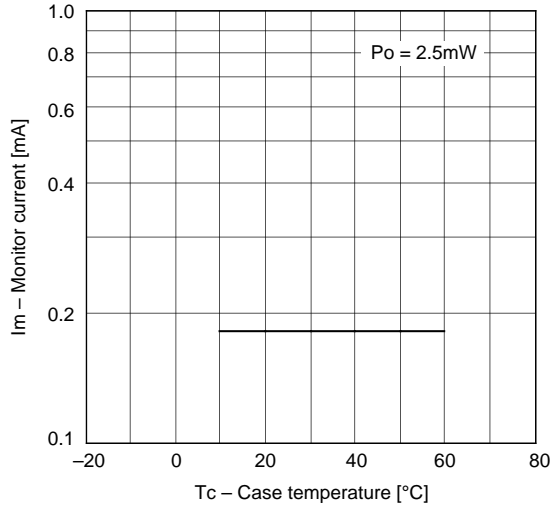
Differential efficiency vs. Temperature characteristics



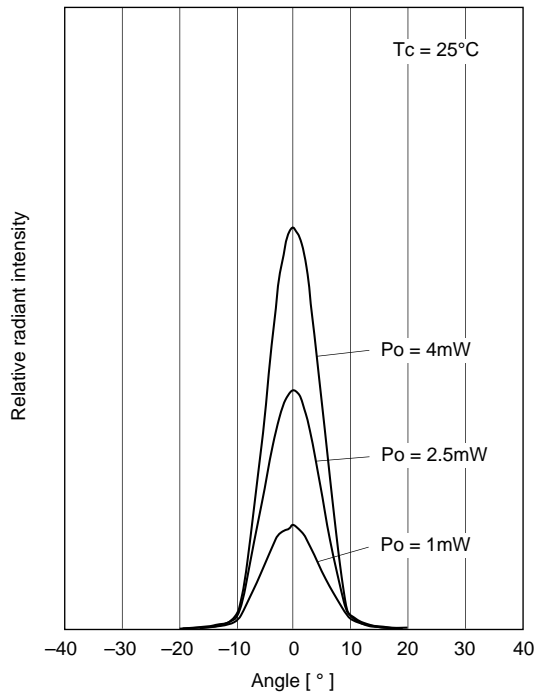
PIN diode voltage and current characteristics



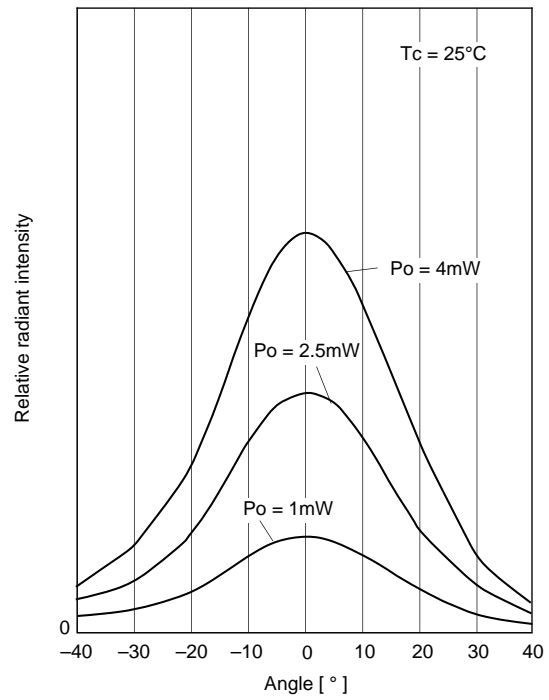
Monitor current vs. Temperature characteristics



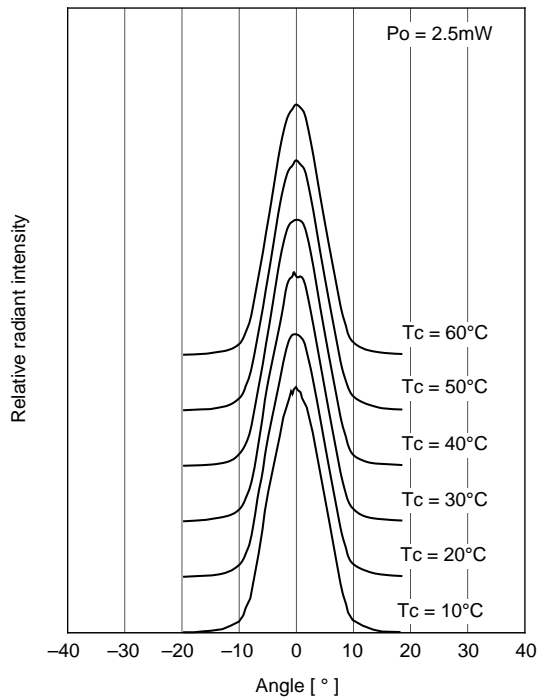
Power dependence of far field pattern
(Parallel to junction)



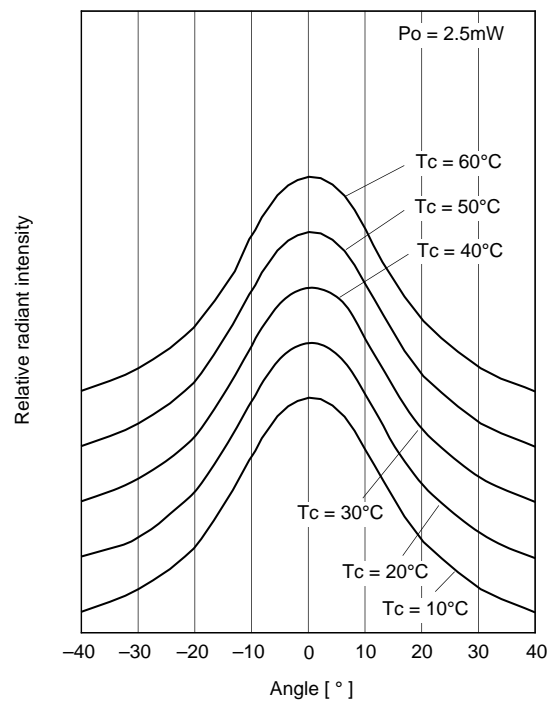
Power dependence of far field pattern
(Perpendicular to junction)



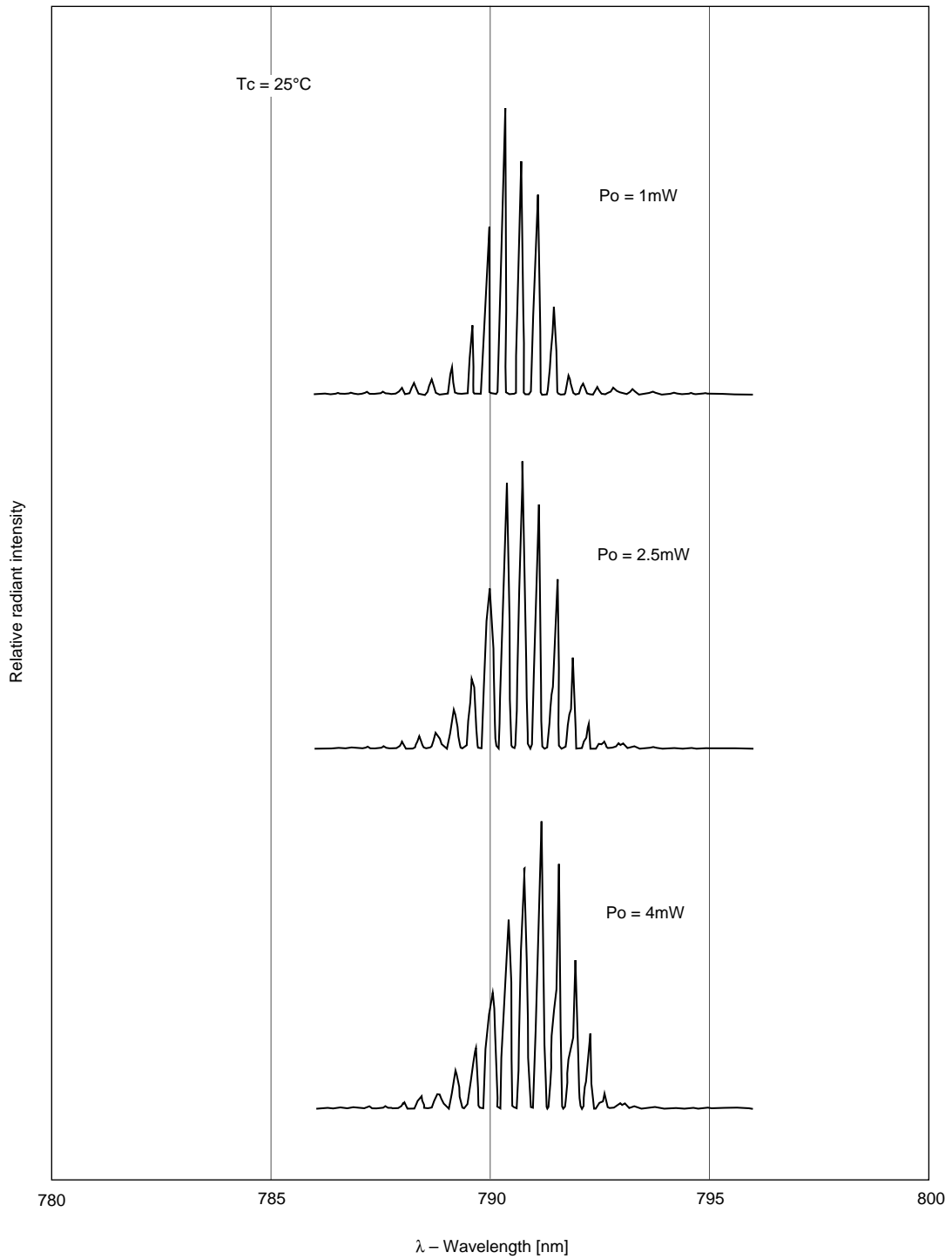
Temperature dependence of far field pattern
(Parallel to junction)



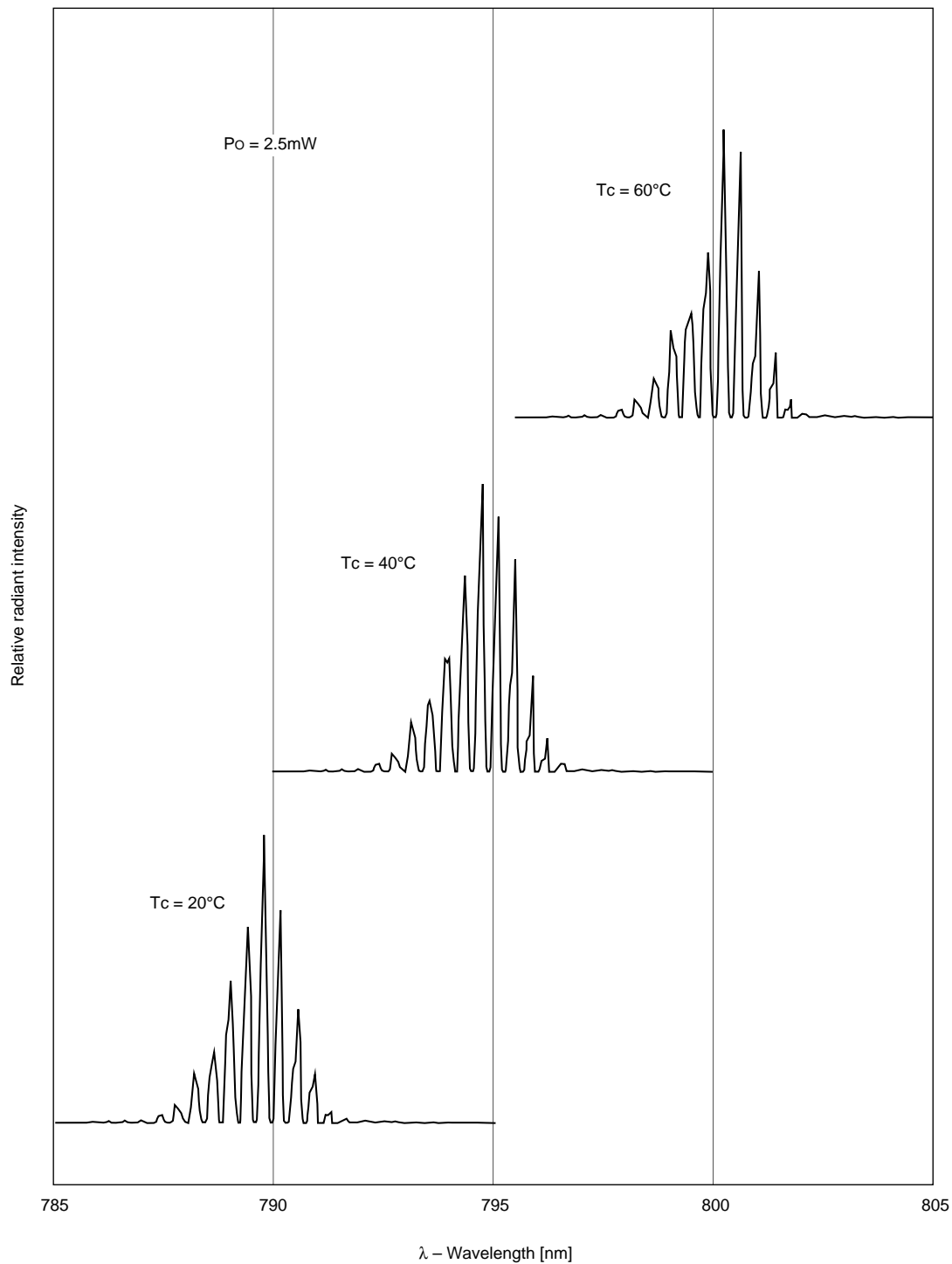
Temperature dependence of far field pattern
(Perpendicular to junction)



Power dependence of oscillating spectrum

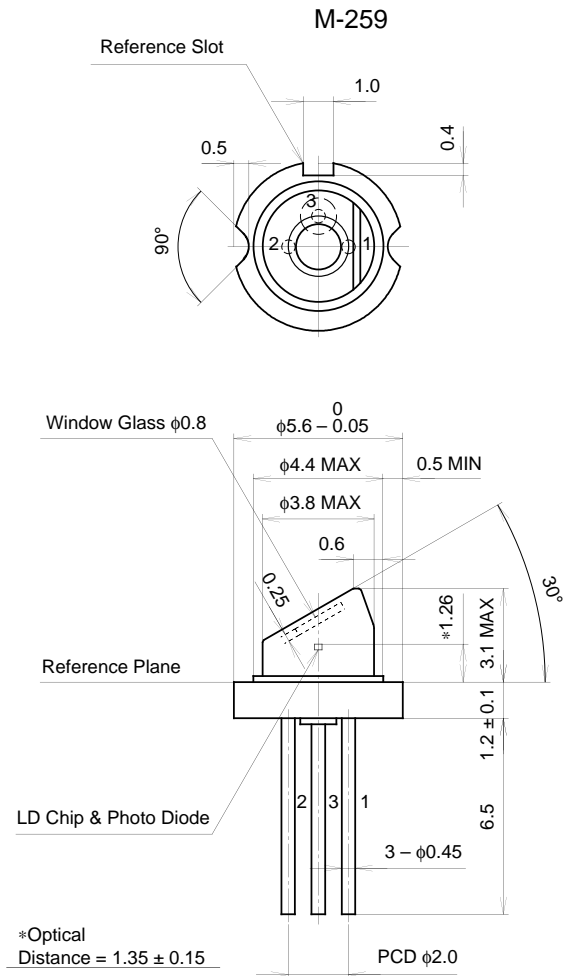


Temperature dependence of oscillating spectrum



Package Outline

Unit: mm



SONY CODE	M-259
EIAJ CODE	_____
JEDEC CODE	_____

PACKAGE WEIGHT	0.3g
----------------	------